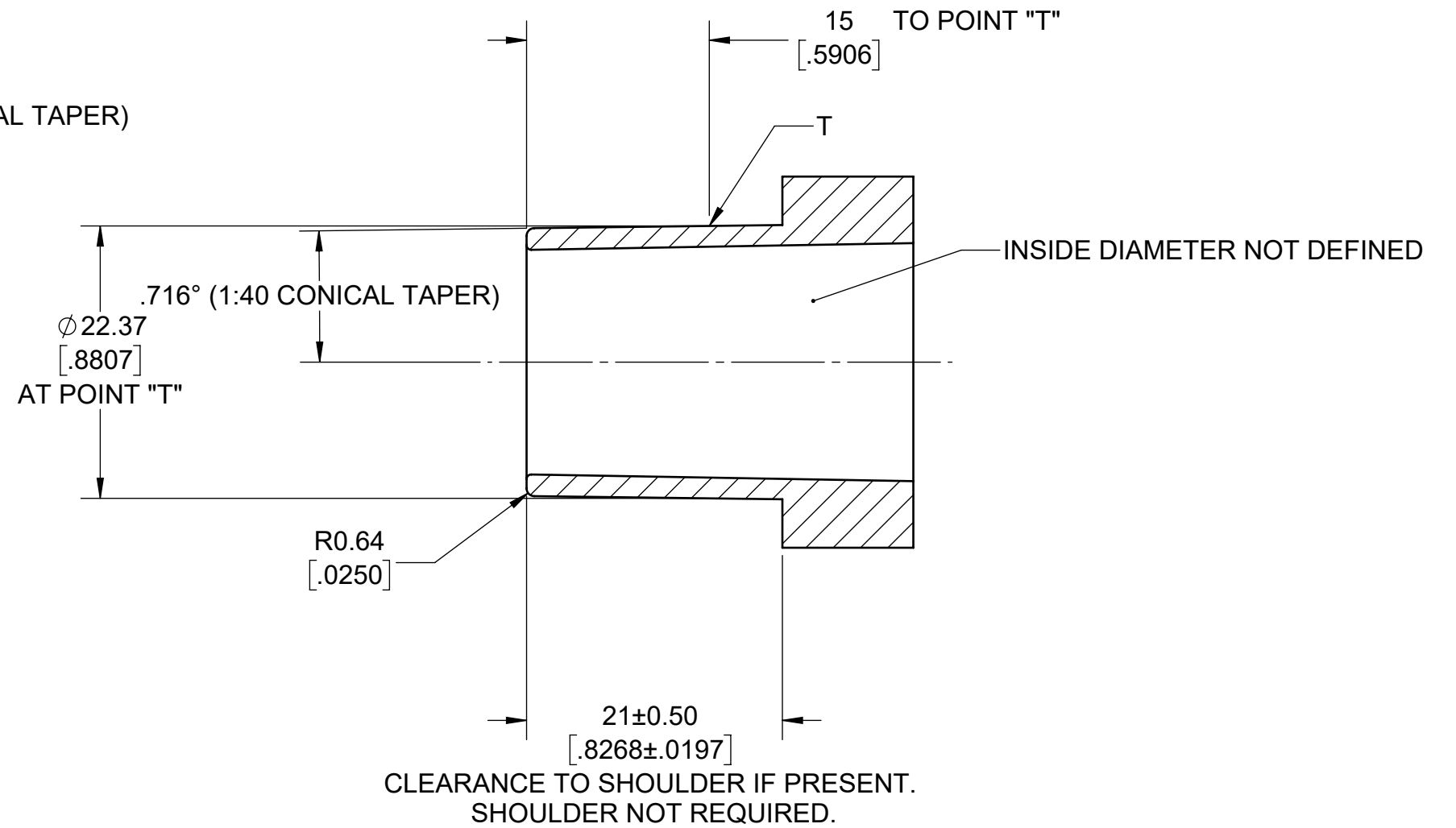


SOCKET



CONE

ISO 5356 22mm TAPER CONNECTION NOMINAL DIMENSIONS
DATE: 27 MARCH 2020, 12:44PM
ETG

REV 2

**Boston
Scientific**

THIS DRAWING AND INFORMATION CONTAINED
 THEREON ARE CONFIDENTIAL AND THE PROPERTY OF
 BOSTON SCIENTIFIC. ANY USE OR REPRODUCTION OF
 THIS DRAWING IS EXPRESSLY PROHIBITED WITHOUT
 BOSTON SCIENTIFIC CORPORATION'S CONSENT.